



[www.carltondoors.com](http://www.carltondoors.com)

# TABLE OF CONTENTS

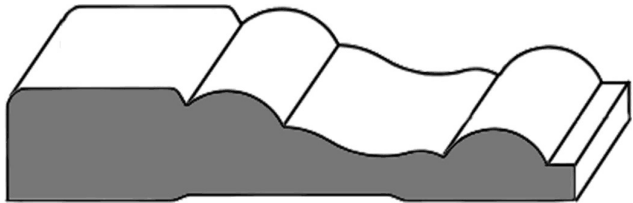
|    |                                 |    |               |
|----|---------------------------------|----|---------------|
| 1  | CASINGS                         | 11 | CROWNS        |
| 3  | BACKBANDS, ROSETTES,<br>PLINTHS | 13 | WAINSCOTS     |
| 4  | BASES                           | 16 | WAINSCOT CAPS |
| 8  | BASE SHOES                      | 17 | CHAIR RAILS   |
| 10 | BASE CAP                        | 19 | MISCELLANEOUS |

# CASINGS



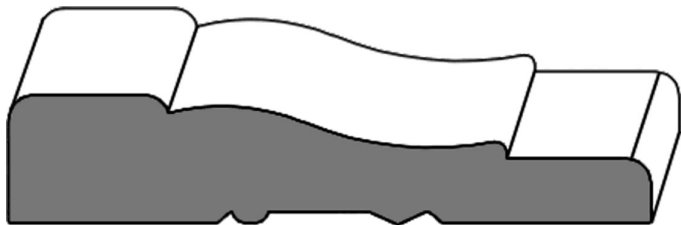
## MOLDED

DB304  $1/2 \times 2 \frac{1}{2}$   
DB305  $3/5 \times 3 \frac{1}{2}$   
DB305  $5/9 \times 3 \frac{1}{2}$



## DEL MAR

DB401  $3/5 \times 3$



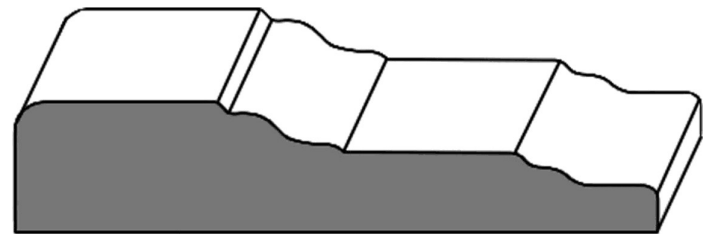
## COLONIAL

DB202  $5/9 \times 2 \frac{1}{4}$     DB301  $4/9 \times 2 \frac{2}{9}$   
DB301  $2/3 \times 2 \frac{1}{4}$     DB301  $4/9 \times 2 \frac{1}{4}$   
DB301  $5/9 \times 2 \frac{1}{4}$     DB302  $2/3 \times 3 \frac{1}{4}$   
DB303  $4/7 \times 3 \frac{1}{4}$     DB301  $11/16 \times 2 \frac{1}{4}$



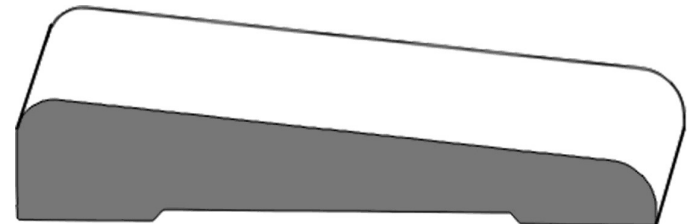
## ROUND EDGE

DA102  $5/9 \times 3 \frac{2}{7}$     DA102  $5/9 \times 2 \frac{1}{4}$



## SHASTA

DB311  $5/9 \times 2 \frac{4}{5}$



## BEVEL

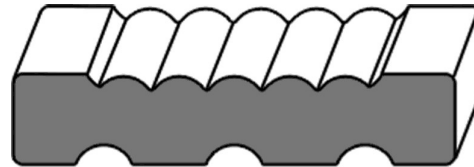
DB101  $2/3 \times 2 \frac{2}{9}$     DB102  $3/7 \times 2 \frac{1}{4}$

# CASINGS



**FLUTE**

DF501  $1/2 \times 3 \ 1/4$     DF501  $4/9 \times 3$   
DF701  $3/7 \times 2 \ 1/4$



**FLUTE & REED**

DF721  $2/3 \times 3 \ 1/4$



**DOUBLE BEAD**

DE301  $1 \ 2/5 \times 3 \ 5/9$



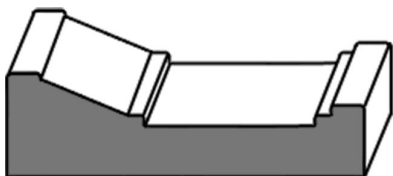
**OAKDALE**

DC501  $3/5 \times 3 \ 1/7$



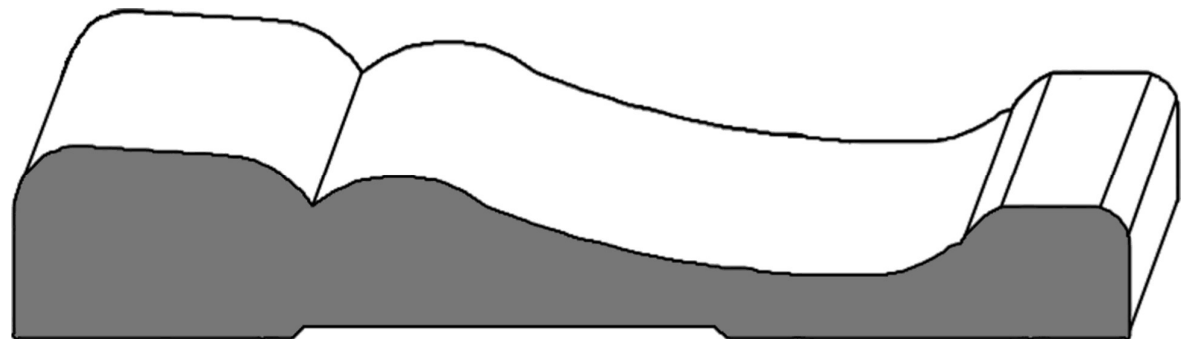
**VICTORIAN**

DB402  $5/7 \times 3 \ 1/2$



**HOWE**

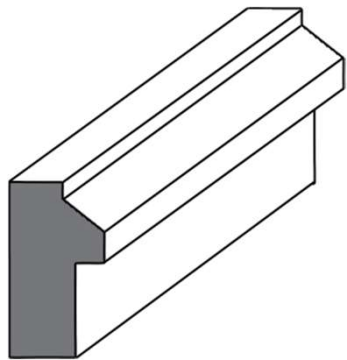
DC201  $1 \ 1/5 \times 4 \ 1/7$   
DC202  $3/4 \times 3 \ 5/8$   
DC203  $31/32 \times 3 \ 3/8$



**MOLDED**

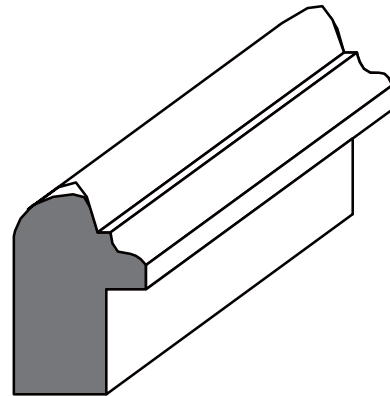
DC301  $3/5 \times 3 \ 1/2$     DC301  $5/9 \times 3 \ 1/2$     DC302  $3/8 \times 2 \ 1/8$

# BACKBANDS, ROSETTES, PLINTHS



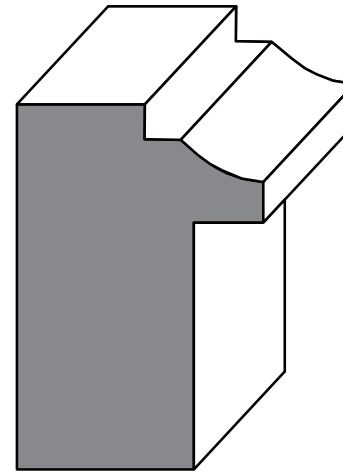
**PAYETTE**

CR102 5/7 \* 1 1/3  
CR102 5/7 \* 1



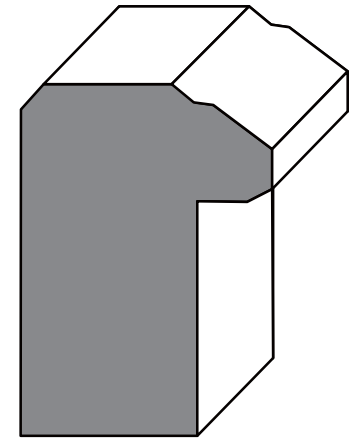
**COUNCIL**

CR103 7/8 \* 1 1/3



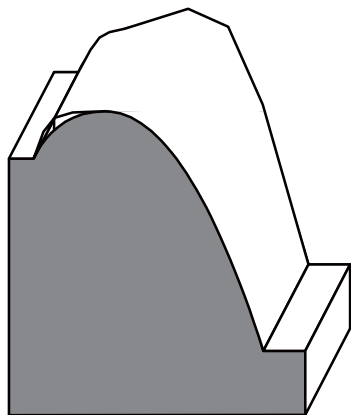
**PAYETTE**

MC033 1 \* 1 1/2



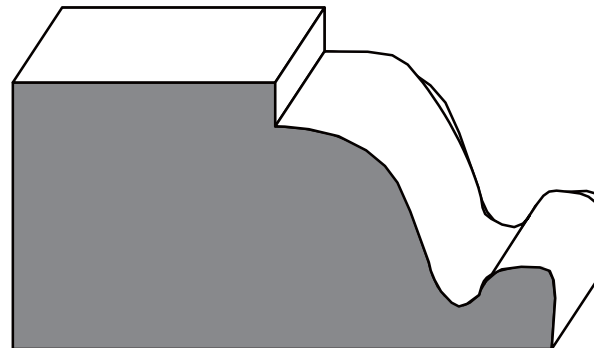
**PAYETTY**

MCO23 3/4 \* 1



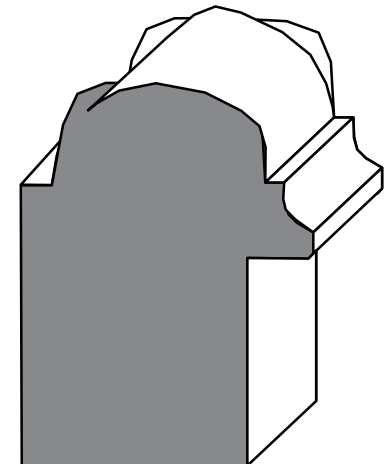
**ELLEN**

BB002 3/4 \* 3/4



**HLINDT**

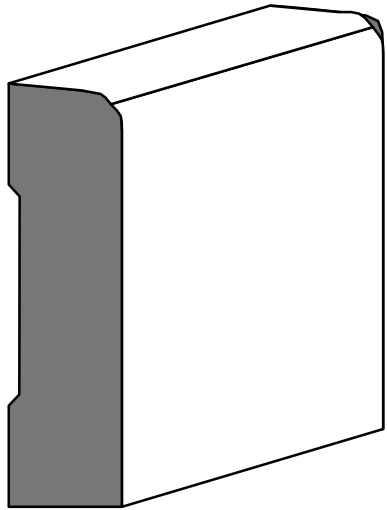
BB001 7/8 \* 1 3/4



**COINCIL**

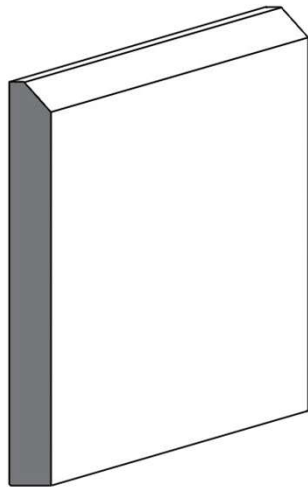
MCO22 1 1/16 \* 1 3/8

# BASES



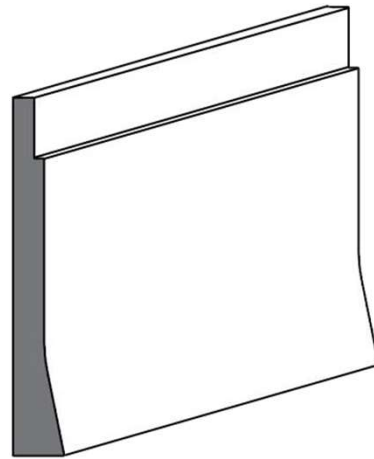
**ASHLEY**

BA102  $4/9 * 1 2/3$   
BA103  $5/7 * 1 2/3$



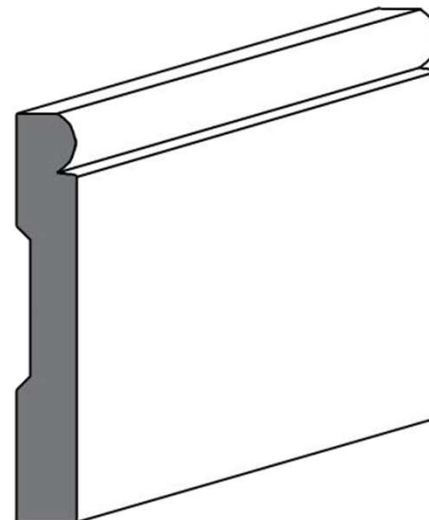
**BEVEL**

BB101  $1/2 * 4 3/4$  BB102  $4/9 * 1 2/3$   
BB101  $1/2 * 5 1/4$  BB102  $4/9 * 2 3/5$   
BB102  $5/7 * 2 3/5$  BB103  $5/7 * 3 5/8$   
BB102  $3/7 * 2 5/8$  BB103  $3/5 * 3 1/2$   
BB102  $3/7 * 3 5/8$



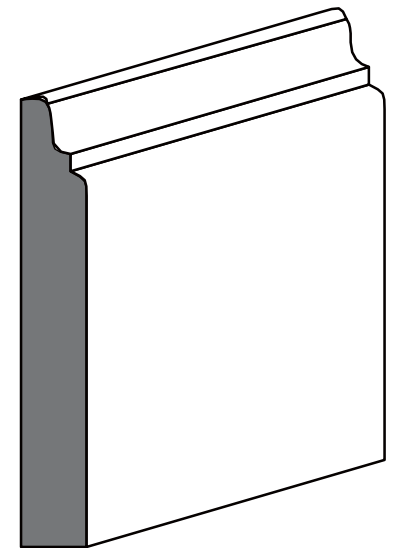
**MERIDIAN**

BC132  $3/5 * 6 5/7$



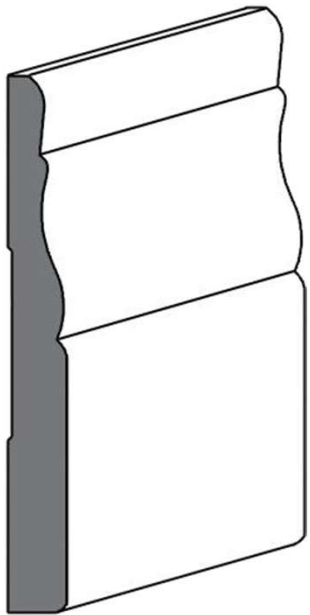
**CONTEMPORARY**

BC101  $1/2 * 3 1/4$   
BC101  $1/2 * 3 1/4$   
BC102  $1/2 * 4$



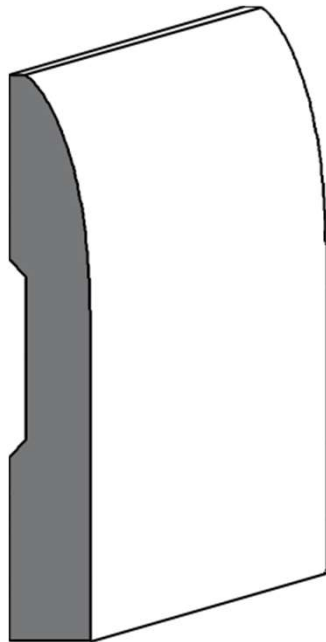
**EDGEWOOD**

BC106  $3/5 * 4 3/8$



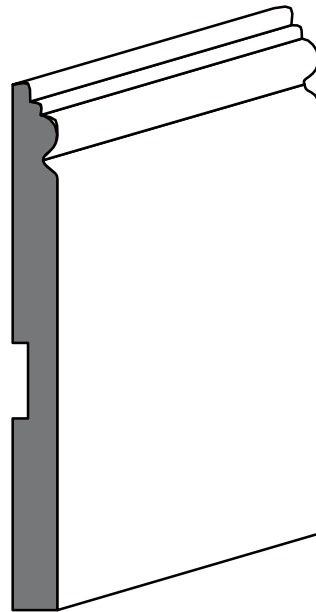
**COLONIAL**

BC202  $1\frac{1}{2}$  \*  $5\frac{1}{4}$   
 BC304  $\frac{3}{8}$  \*  $3\frac{8}{9}$   
 BC303  $\frac{3}{8}$  \*  $3\frac{1}{4}$



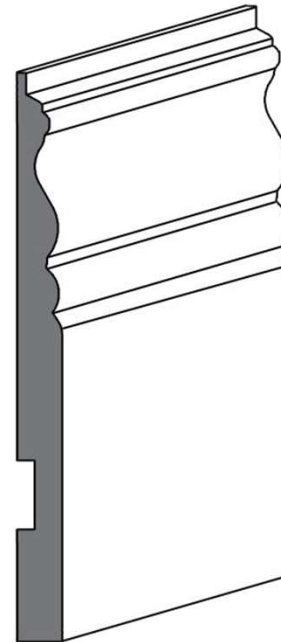
**STREAMLINE**

BA104  $\frac{5}{9}$  \* 4  
 BA103  $\frac{2}{5}$  \*  $2\frac{5}{7}$   
 BA106  $\frac{3}{7}$  \*  $3\frac{2}{9}$



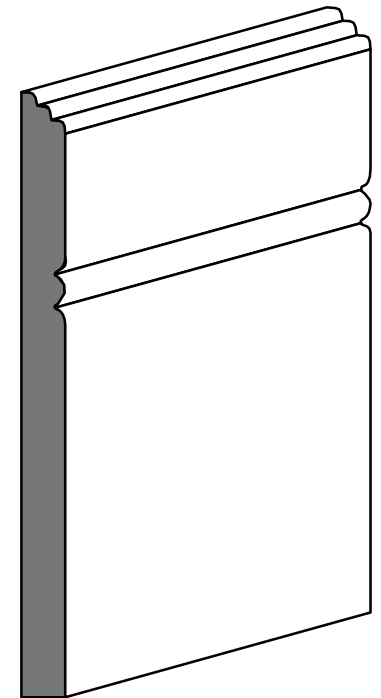
**SANTA FE**

BC103  $\frac{5}{9}$  \*  $6\frac{1}{2}$   
 BC204  $\frac{3}{5}$  \*  $7\frac{1}{9}$   
 BD103  $\frac{4}{5}$  \*  $9\frac{1}{9}$   
 BD103  $\frac{5}{7}$  \*  $7\frac{1}{9}$



**IMPERIAL**

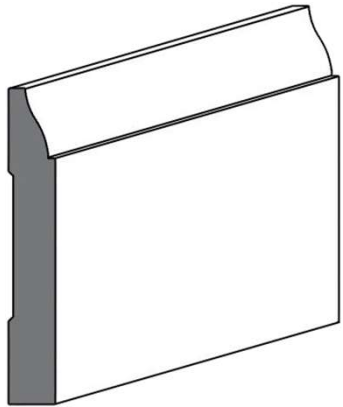
BC301  $\frac{3}{5}$  \*  $7\frac{1}{7}$  BC201  $\frac{1}{2}$  \*  $3\frac{5}{9}$   
 BC301  $\frac{3}{5}$  \*  $7\frac{1}{7}$  BC201  $\frac{3}{5}$  \*  $6\frac{1}{3}$   
 BC201  $\frac{3}{5}$  \*  $8\frac{5}{8}$  BC201  $\frac{5}{9}$  \*  $6\frac{1}{3}$



**MISSION BAY**

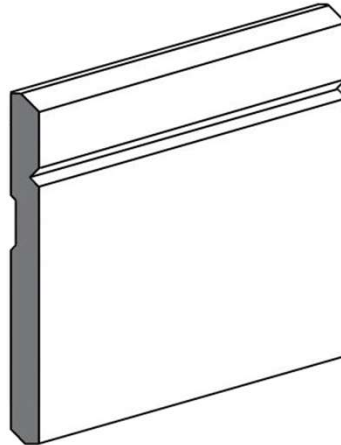
BC231  $\frac{2}{5}$  \*  $4\frac{1}{3}$   
 BC231  $\frac{2}{5}$  \*  $5\frac{8}{9}$

# BASES



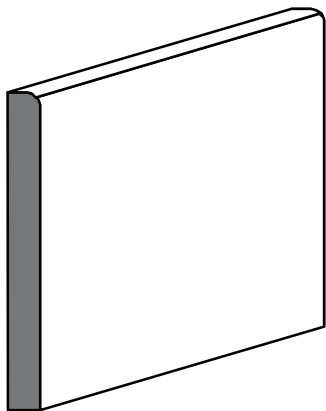
**CORONADO**

BB103 2/5 \* 2 5/7    BB103 1/2 \* 4 1/4  
BB103 1/2 \* 5 2/7    BB103 5/9 \* 3 2/7  
BB103 1/2 \* 3 1/4    BB103 1/2 \* 3 2/7  
BB103 1/2 \* 3 2/7    BC103 4/9 \* 2 3/4



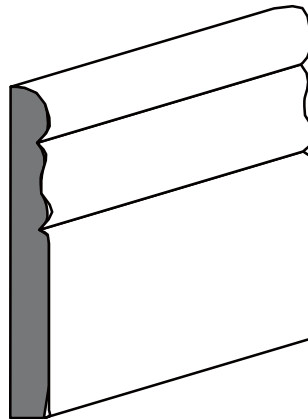
**CORONADO**

BC131 1/2 \* 6  
BC232 3/5 \* 5 8/9  
BC232 3/5 \* 9 1/9



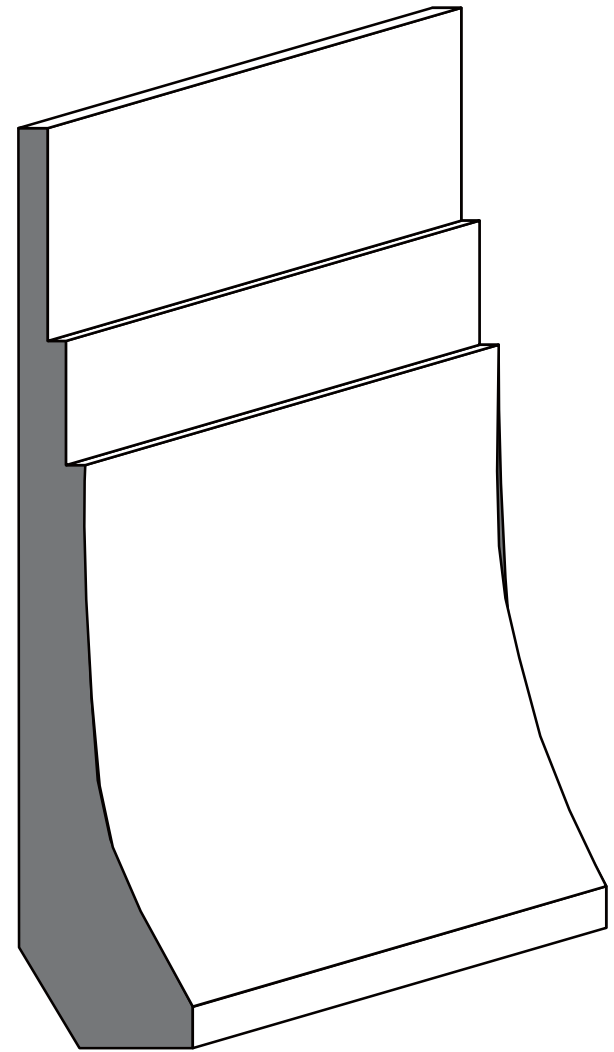
**ROUND EDGE**

BA101 1/2 \* 3 1/6



**PLINTH**

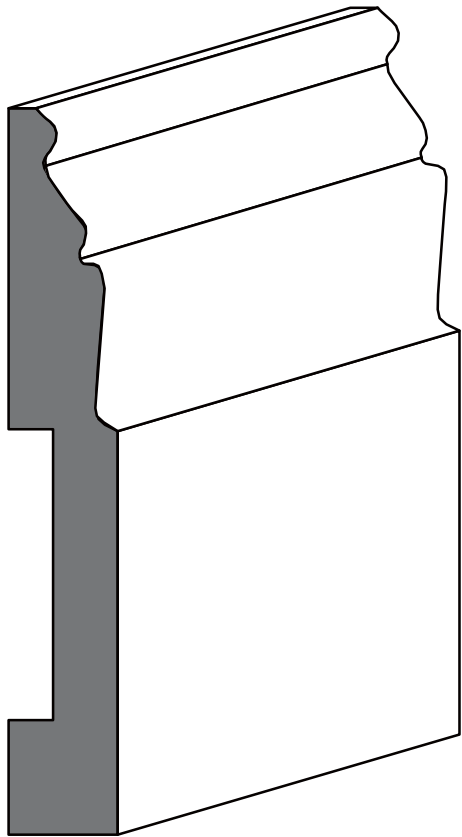
BC302 3/8 \* 3 1/7



**3-STEP**

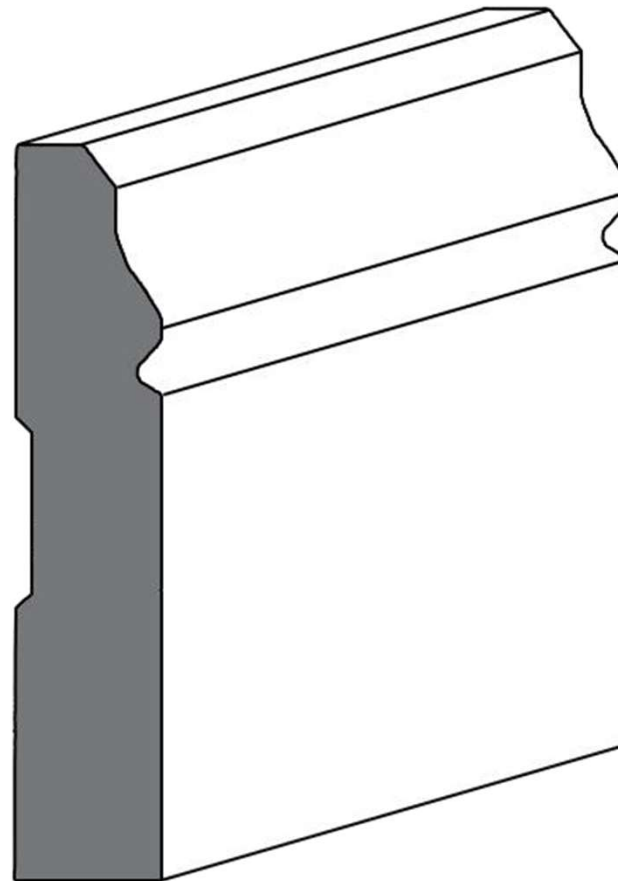
BD201 5/7 \* 3 4/9

# BASES



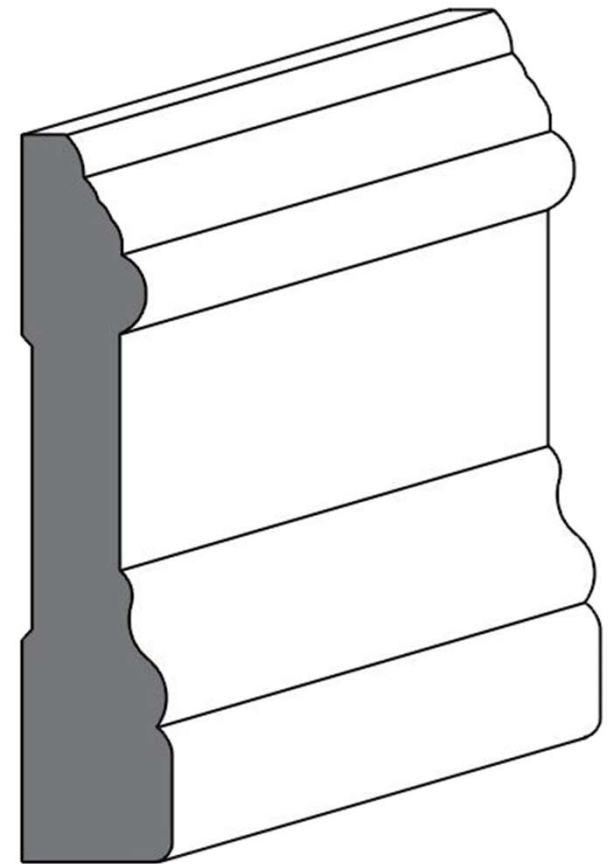
VINTAGE

- BC303 1/2 \* 3 1/6
- BC306 3/4 \* 4
- BC203 3/5 \* 5 1/4
- BC203 5/9 \* 5 2/9
- BC203 5/9 \* 7 2/9
- BC203 5/9 \* 3 1/4
- BC203 3/5 \* 5 1/4



POWELL

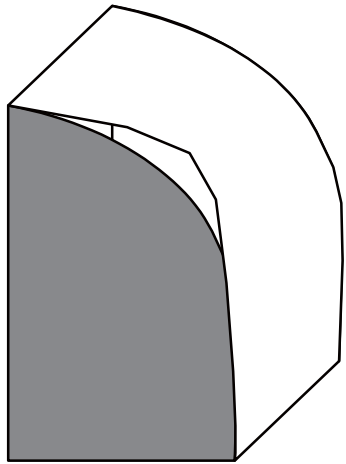
- BC103 5/7 \* 3 5/8
- BC104 3/5 \* 5 4/9
- BC104 1/2 \* 4



SANTA CLARA

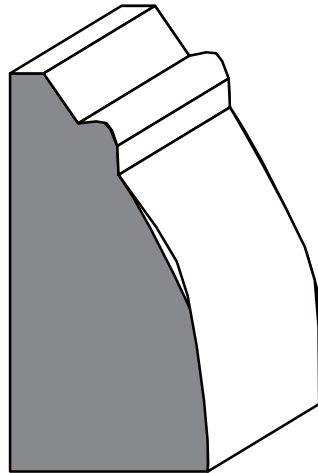
- BD101 3/7 \* 3 1/2
- BD102 5/9 \* 5 1/4
- BD103 4/5 \* 9 1/9
- BD103 5/7 \* 7 1/9
- BD103 5/7 \* 7 1/9

# BASE SHOES



BASE SHOE

MC126 1/2 \* 3/4    BS001 1/2 \* 3/4

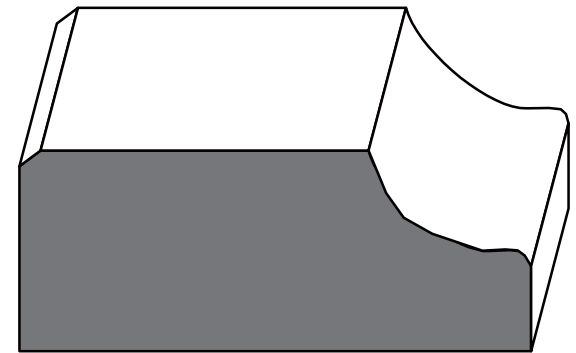


OGEE BASE SHOE

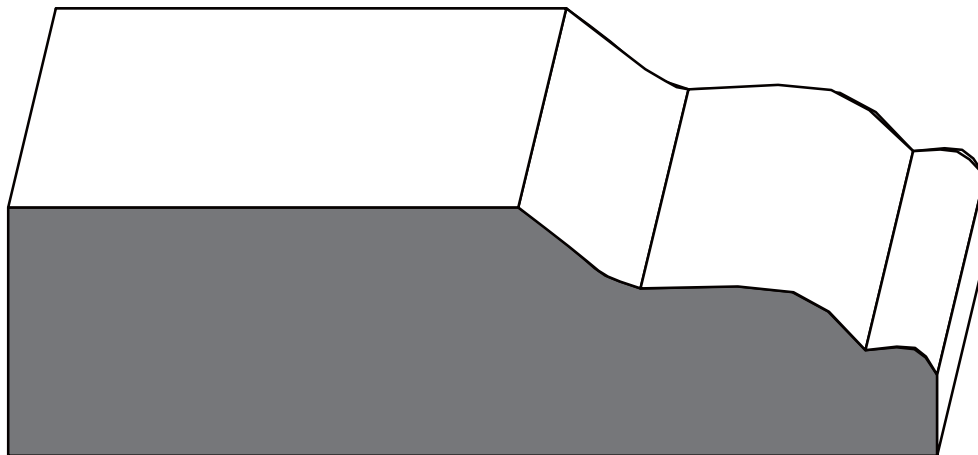
MC226 3/8 \* 3/4



BASE SHOE BS101 3/8 \* 1 1/7

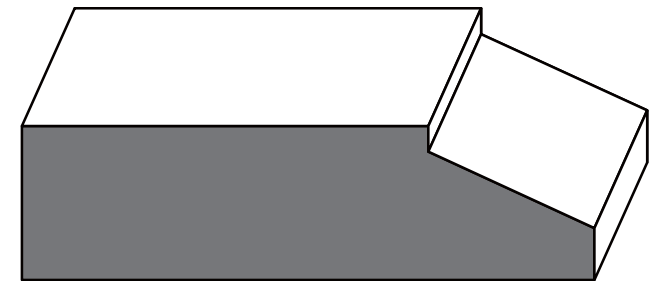


BASE SHOE BS106 1/2 \* 1 1/4



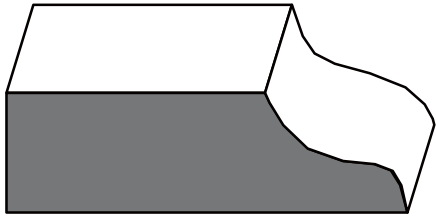
BASE SHOE

BS107 3/8 \* 1 3/8



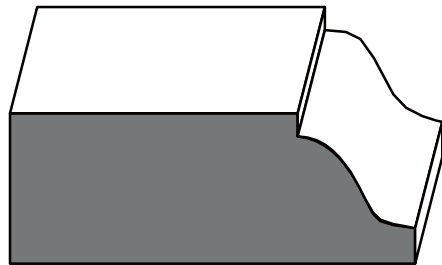
BASE SHOE BS103 3/8 \* 1 3/8

# BASE SHOES



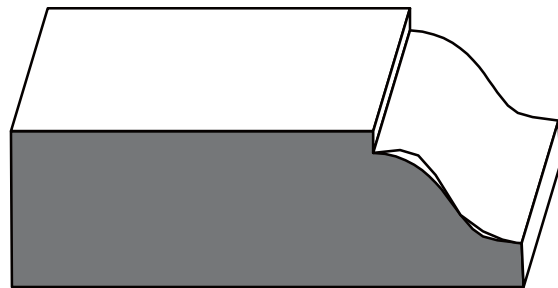
BASE SHOE

BS103 3/8 \* 1 1/4    BS103 1/2 \* 1 1/7



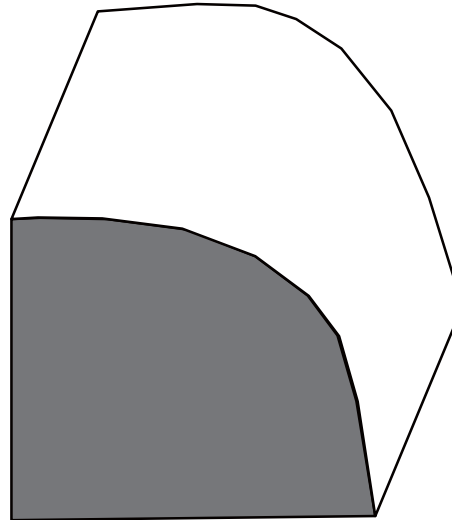
BASE SHOE

BS108 3/5 \* 1 1/7    BS108 5/9 \* 1 1/7



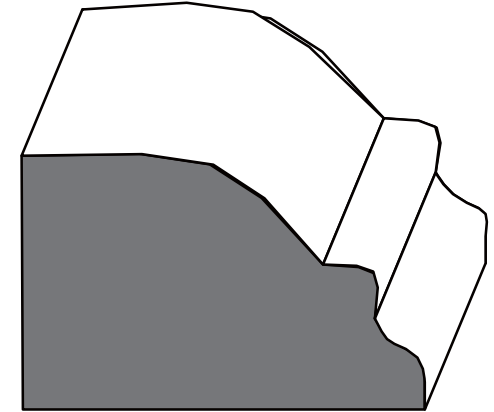
CORONADO

BS103 3/8 \* 1 3/8    BS104 3/8 \* 1 2/7  
BS104 3/8 \* 1 1/4



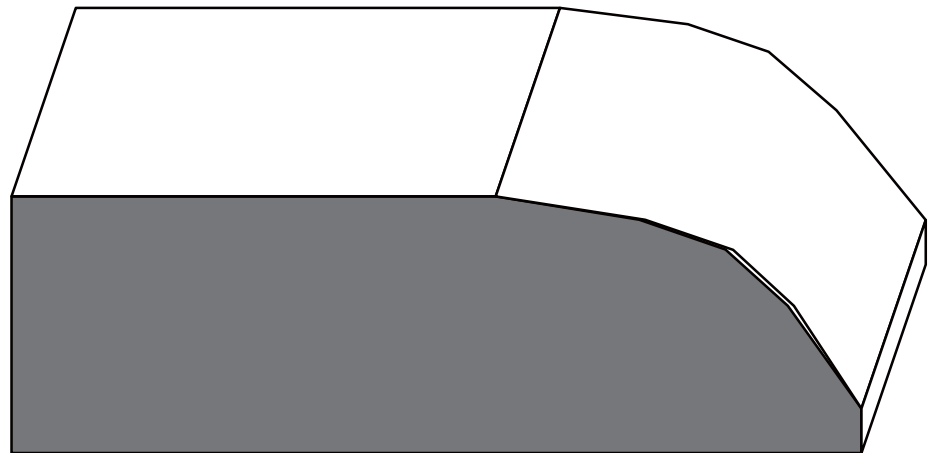
BASE SHOE

MC126 1/2 \* 3/4



BASE SHOE

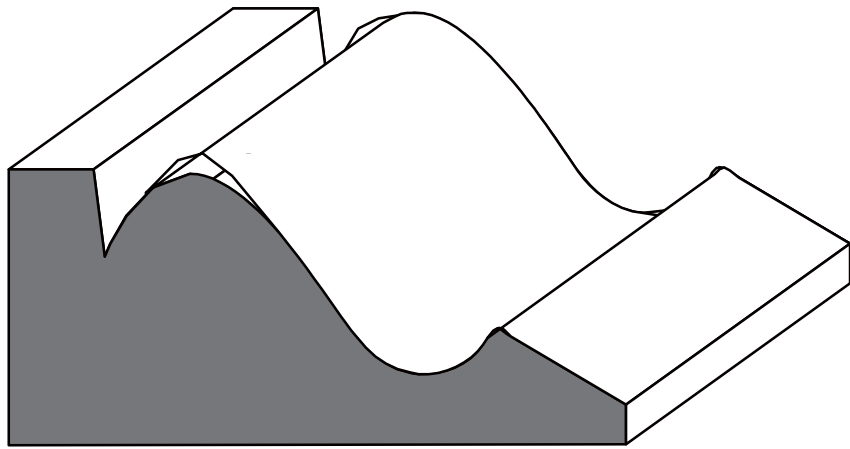
MC226 3/8 \* 3/4



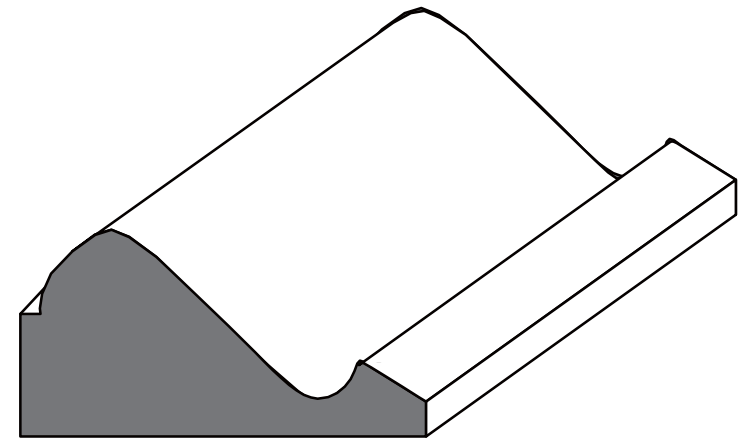
BASE SHOE

BS102 2/5 \* 1 3/8

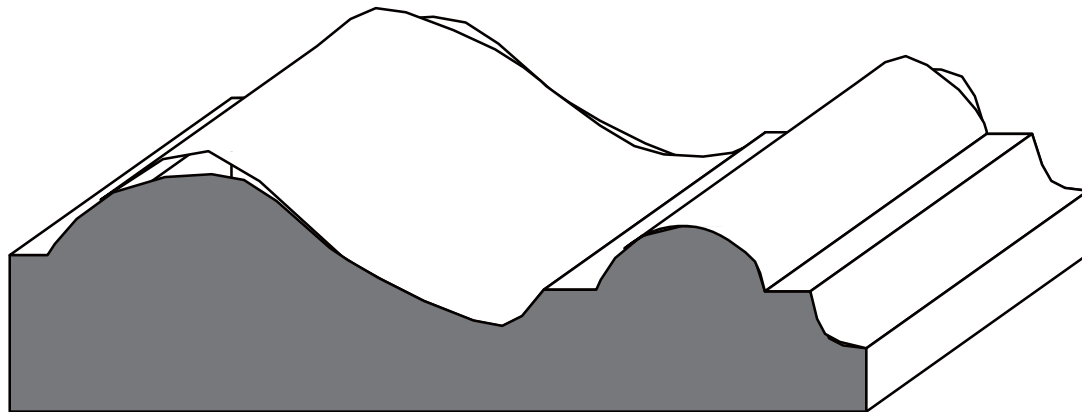
# BASE CAP



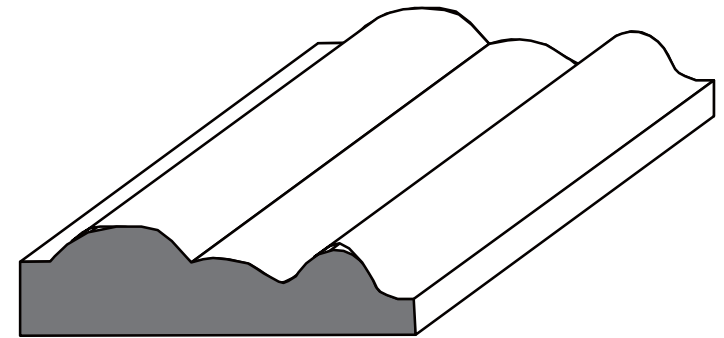
COLONIAL  
CR202 2/3 \* 1 1/2



CORONADO  
CR202 2/3 \* 1 3/8

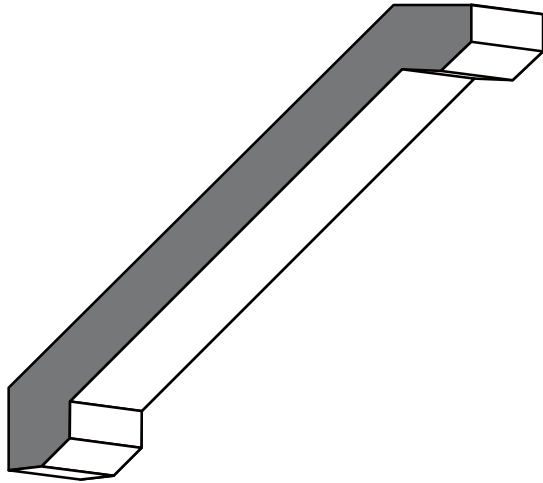


SANTA FE  
CR304 5/9 \* 2 1/6

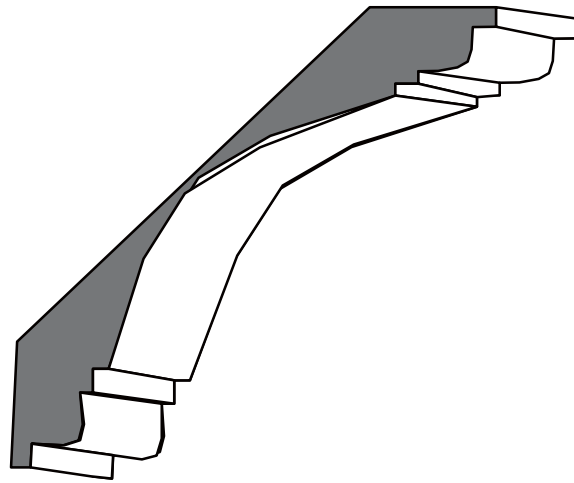


EAGLE  
CR304 1/2 \* 1 3/4

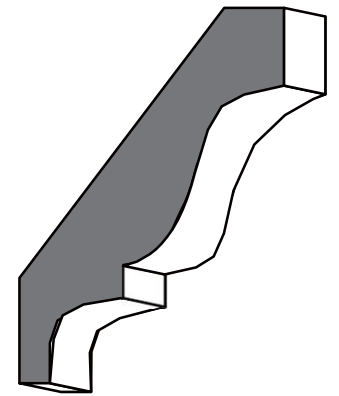
# CROWNS



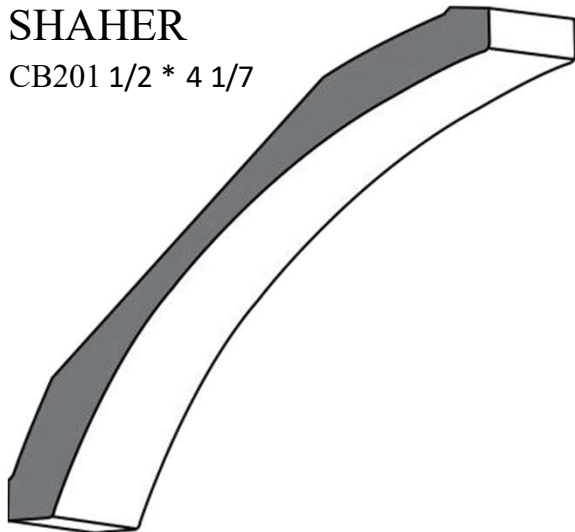
SHAHER  
CB201 1/2 \* 4 1/7



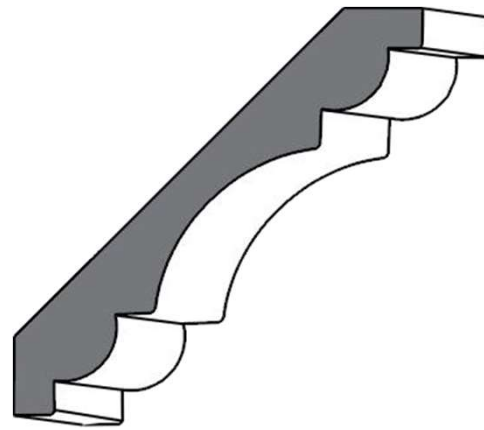
REGAL  
CB301 1 1/5 \* 7 8/9



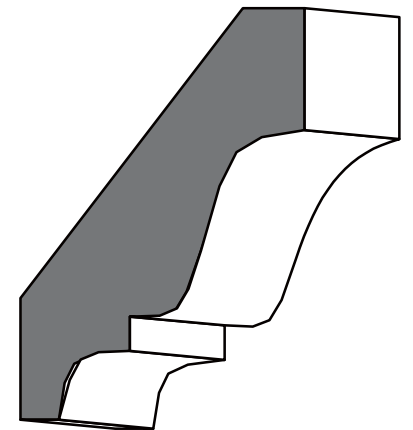
COLONIAL  
CA101 2/3 \* 3 2/7  
CA101 5/9 \* 3 1/4  
CA101 5/9 \* 4 2/9



REID  
CB101 3/4 \* 5 1/4

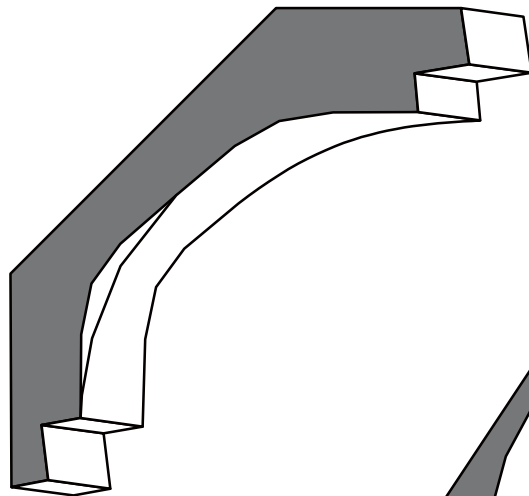


DOUBLE BEAD  
CA231 3/5 \* 4 2/9

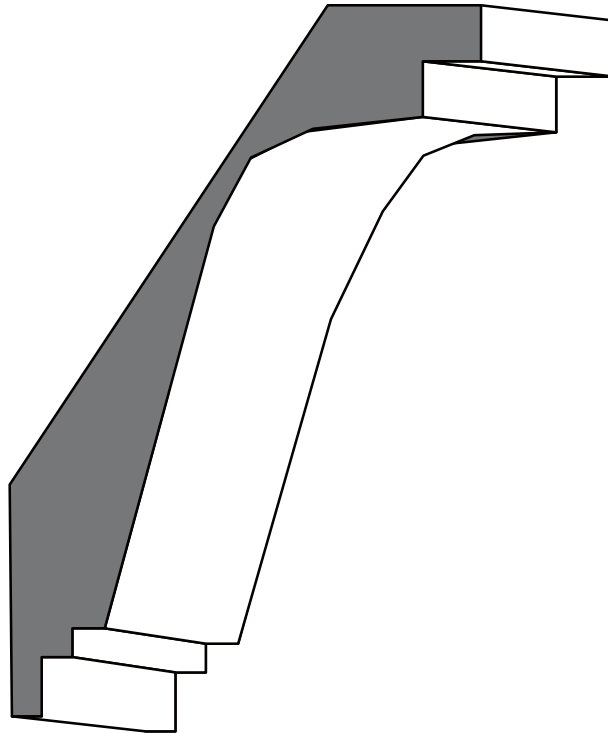


COLONIAL  
CA104 5/9 \* 2 1/4

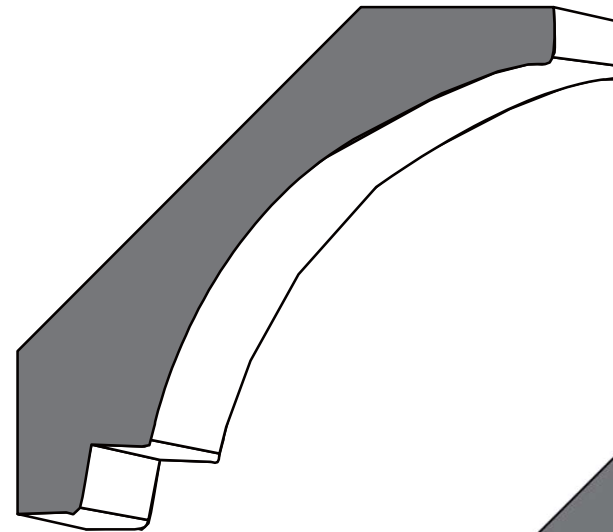
# CROWNS



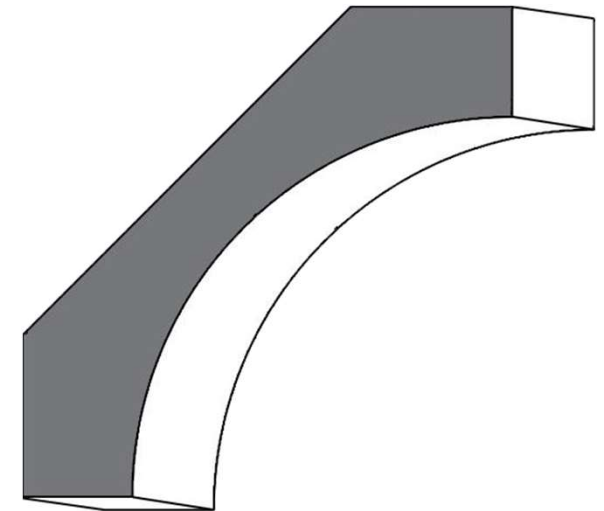
CROWN  
CB211  $1\frac{2}{9} * 4\frac{5}{9}$   
CB211  $1\frac{1}{2} * 5$



CROWN  
CB202  $3 * 4\frac{1}{2}$

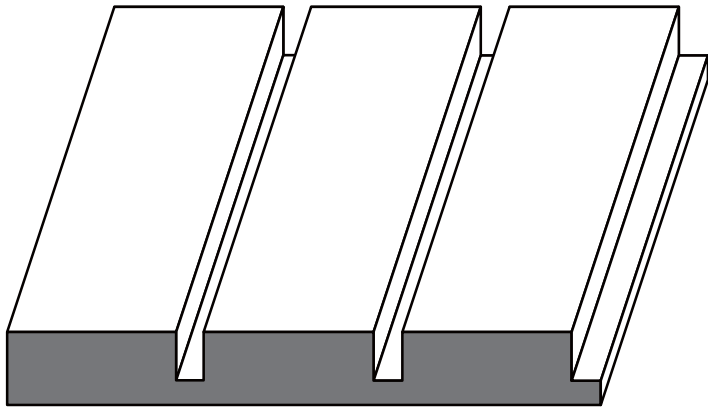


CROWN  
CB103  $5/9 * 2\frac{2}{5}$

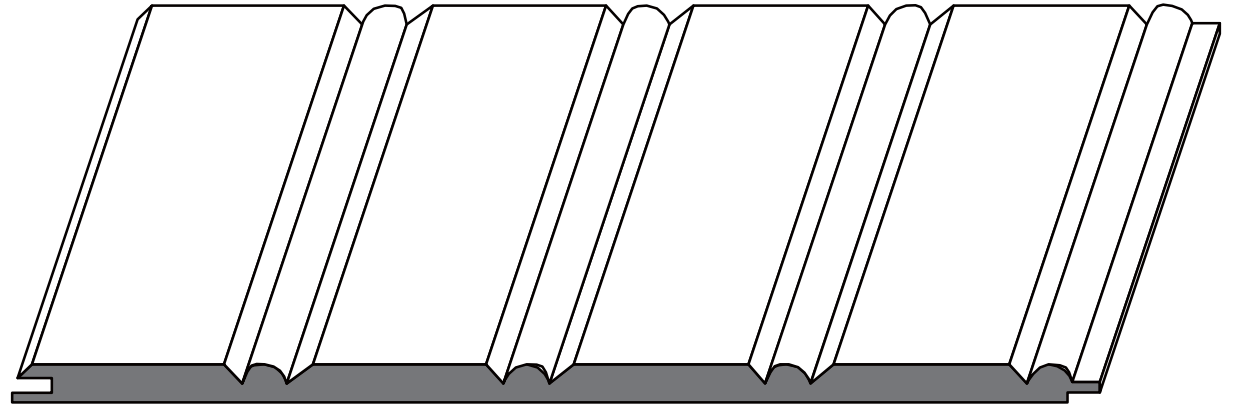


CONTEMPORARY  
CB102  $1\frac{7}{9} * 1\frac{7}{9}$

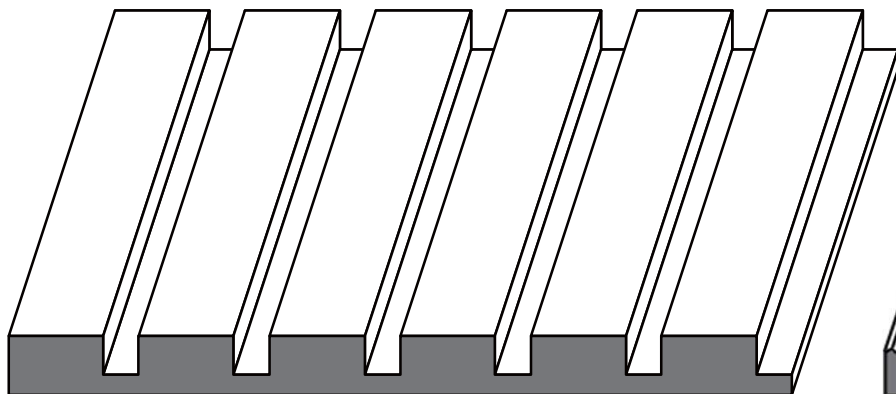
# WAINSCOTS



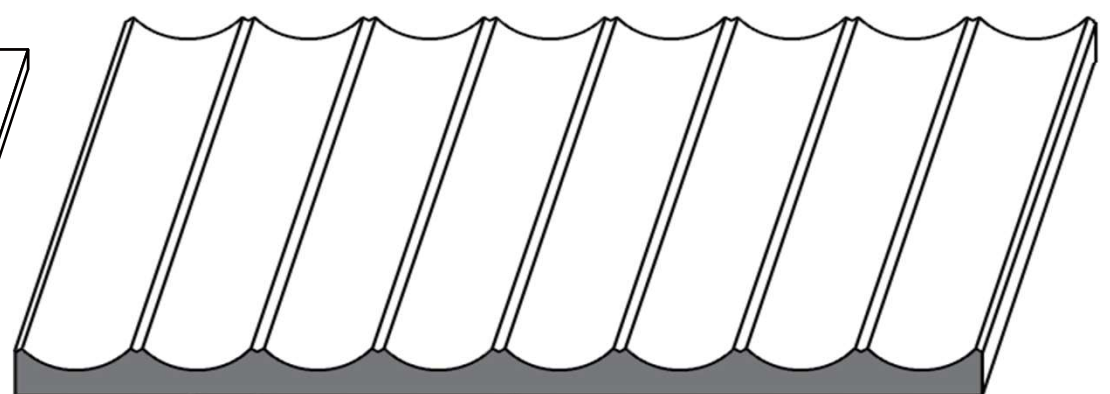
**FLUTTED**  
WF301 5/7 \* 9 4/9



**T&G BEADED**  
WA401 1/4 \* 7 1/7



**FLUTTED**  
WF601 5/7 \* 9 4/9



**COVE**  
WF083 1/2 \* 9 4/9

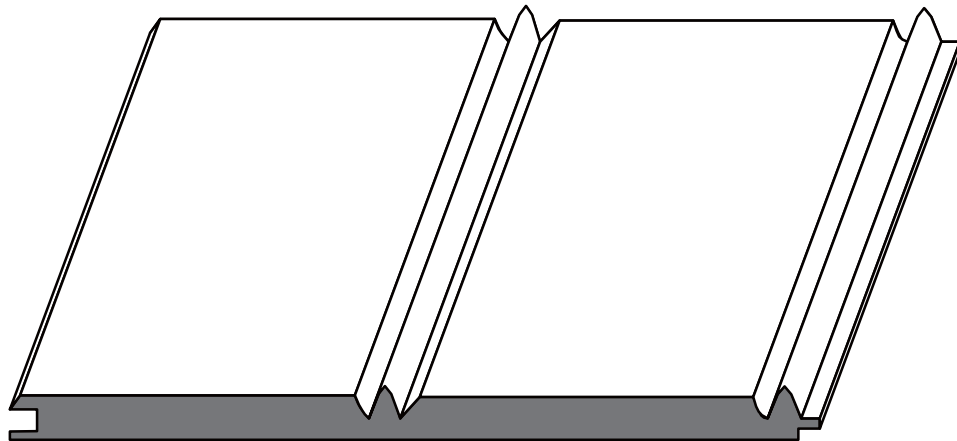
# WAINSCOTS



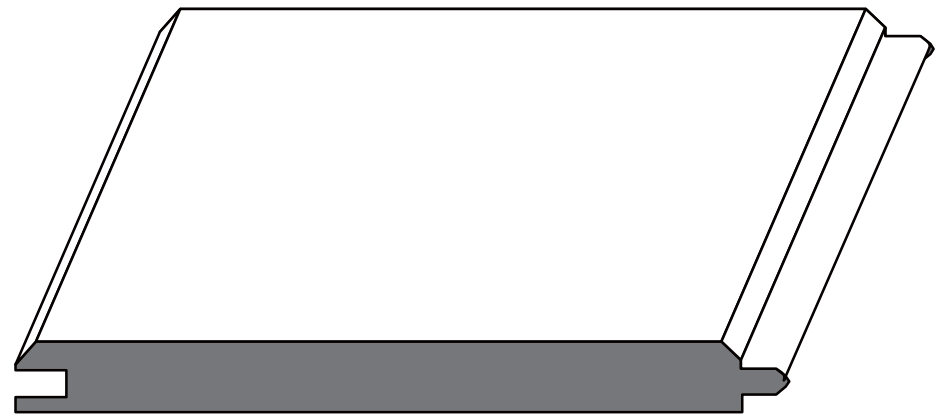
**T&G V-GROOVE**  
WA002 1/2 \* 5 1/4



**REVERSIBLE SHIPLAP**  
WA102 1/2 \* 5 1/4



**T&G BEADED**  
WA201 1/4 \* 7 1/7    WA201 2/7 \* 3 4/7



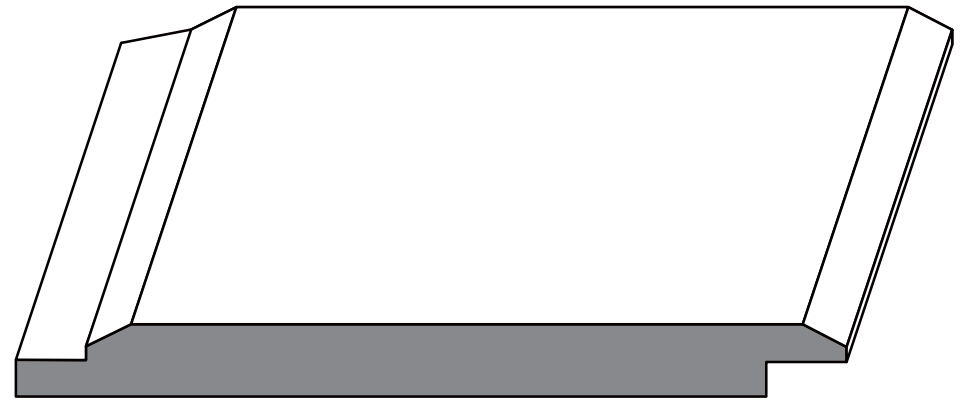
**T&G V-GROOVE**  
WA001 1/4 \* 5 1/4    WA002 1/2 \* 5 1/4  
WA001 2/7 \* 3 4/7

# WAINSCOTS



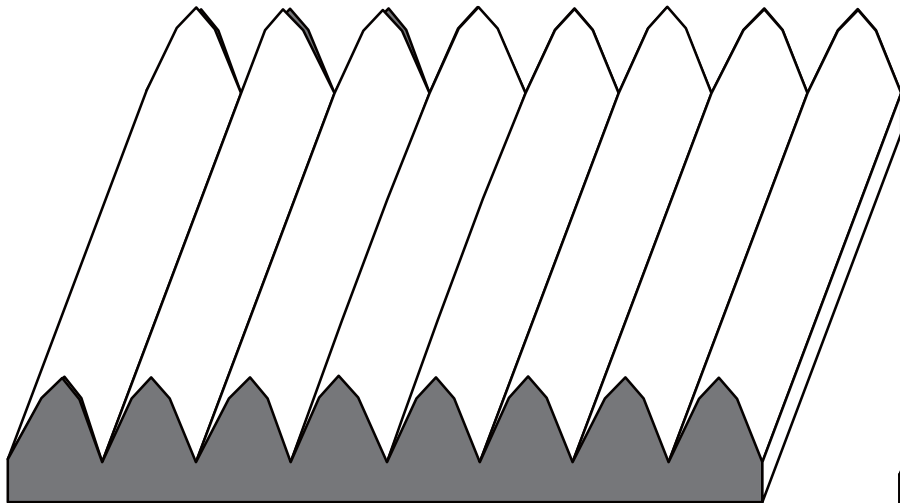
SQUARE EDGE SHIPLAP

WA103  $\frac{3}{4}$  \*  $5 \frac{1}{2}$   
WA106  $\frac{3}{4}$  \*  $7 \frac{1}{4}$

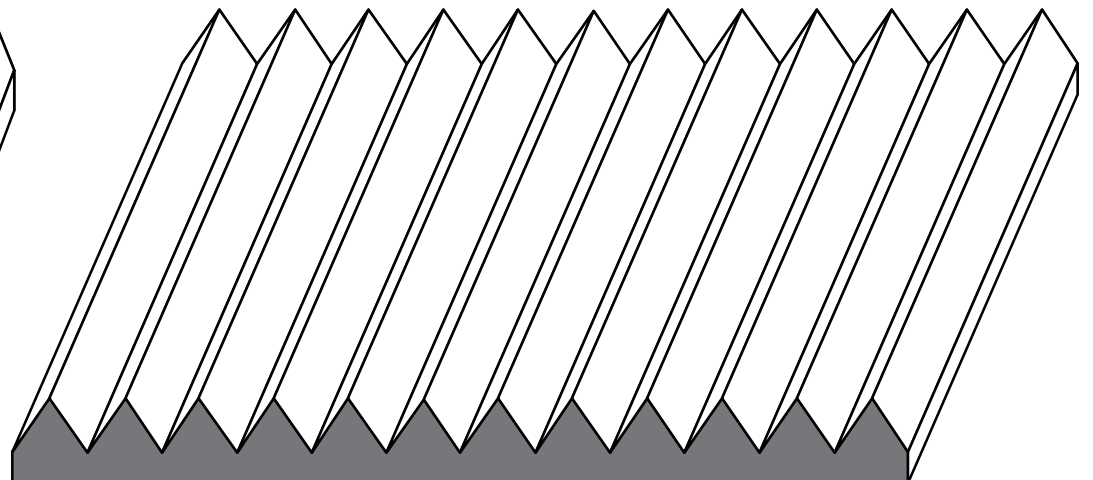


V RUSTIC SIDING

WA103  $\frac{11}{16}$  \*  $5 \frac{1}{2}$   
WA104  $\frac{11}{16}$  \*  $7 \frac{1}{2}$

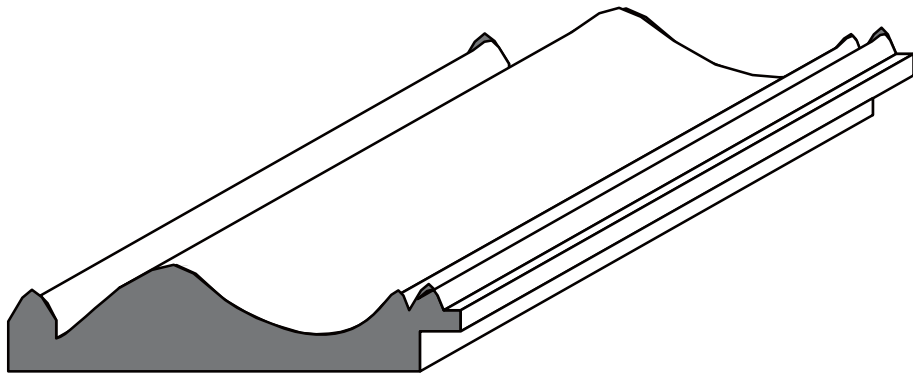


ROUND WF082  $\frac{5}{9}$  \*  $9 \frac{4}{9}$

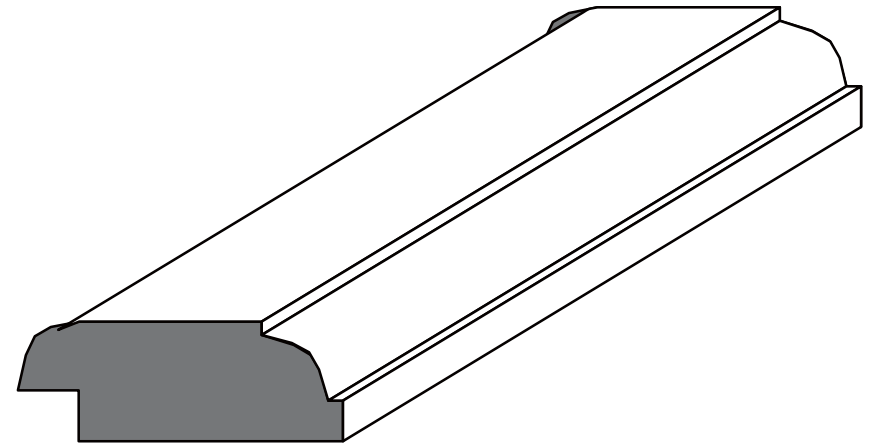


DELTA WF124  $\frac{2}{3}$  \*  $9 \frac{4}{9}$

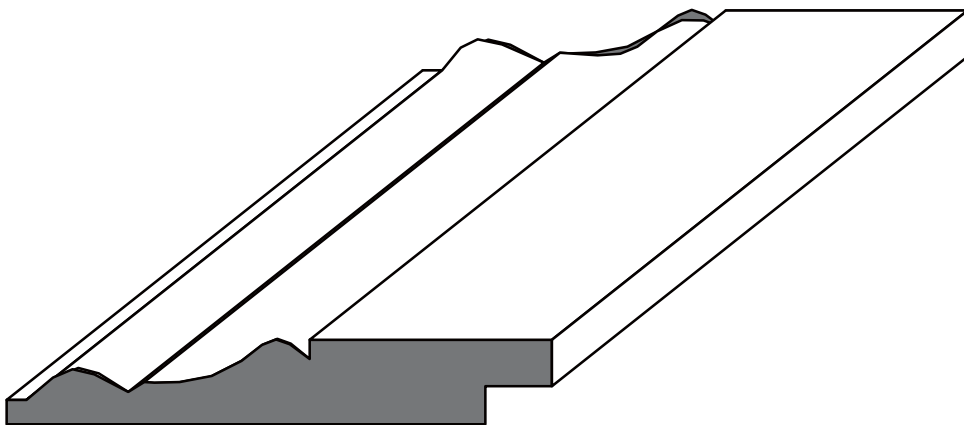
# WAINSCOT CAPS



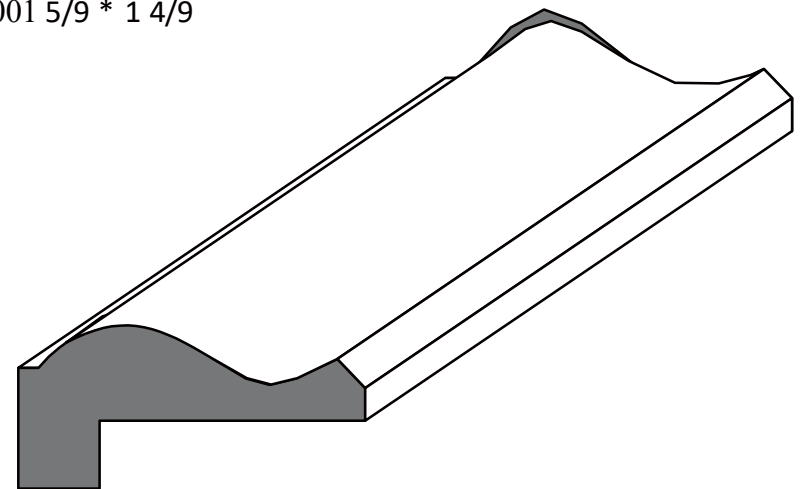
PANEL CAP  
PA001  $3/5 * 2 5/8$



PANEL CAP  
PC001  $5/9 * 1 4/9$

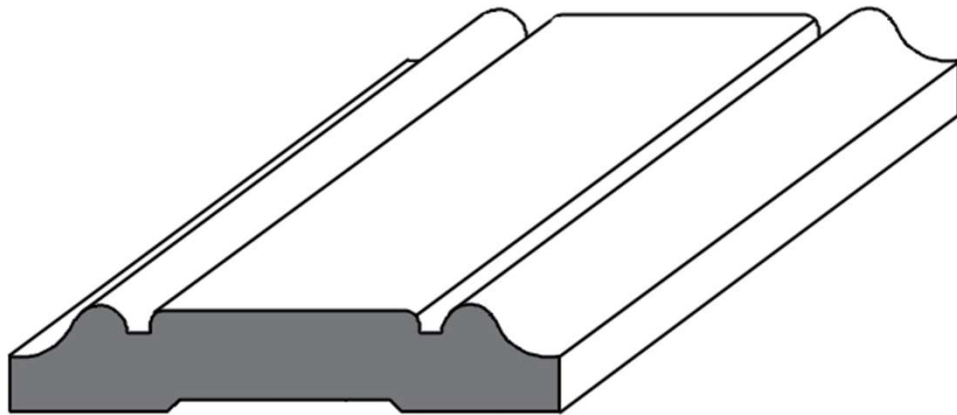


PANEL CAP  
PA002  $3/5 * 2$   
PA002  $5/9 * 2$



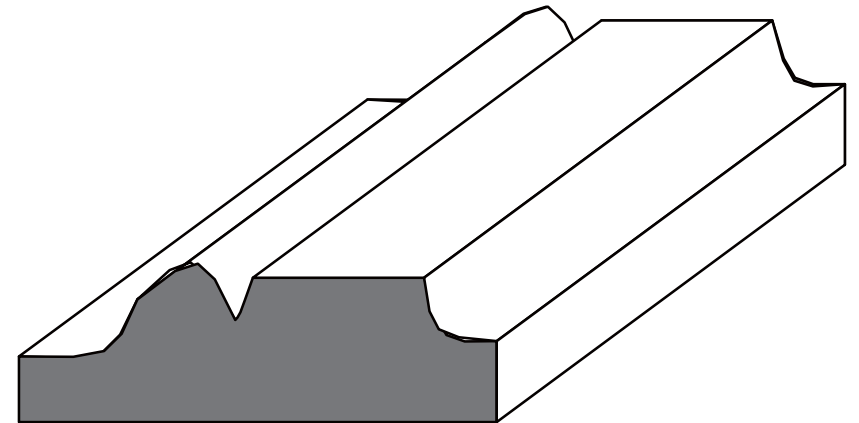
PANEL CAP  
PB001  $5/9 * 1 1/9$

# CHAIR RAILS



**DOUBLE BEADED**

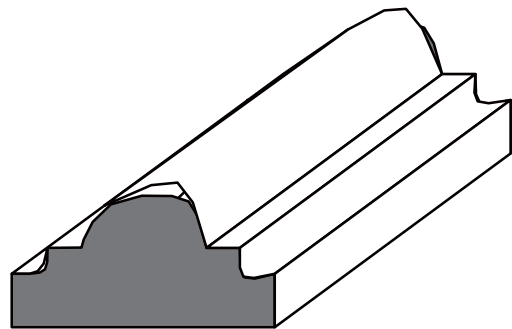
CR311  $\frac{3}{8}$  \*  $1\frac{6}{7}$



**BEADED**

CR201  $\frac{3}{8}$  \*  $1\frac{1}{5}$

CR201  $\frac{2}{5}$  \*  $1\frac{1}{5}$

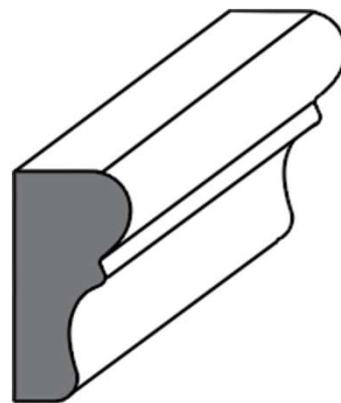


**CODY**

CR101  $\frac{1}{3}$  \*  $1\frac{3}{5}$

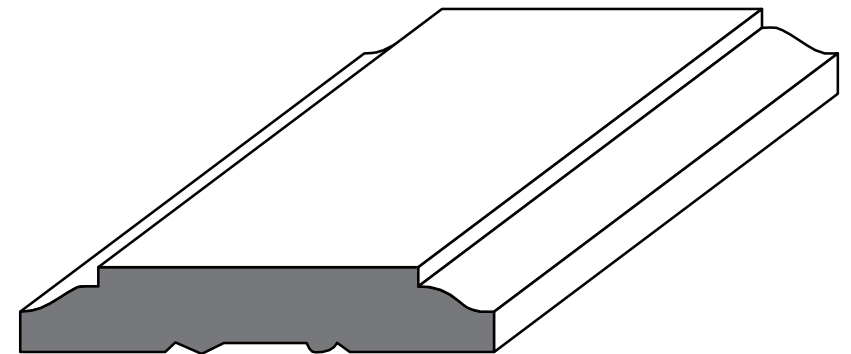
CR101  $\frac{5}{7}$  \*  $1\frac{3}{5}$

CR101  $\frac{1}{2}$  \* 1



**CHAIR RAIL**

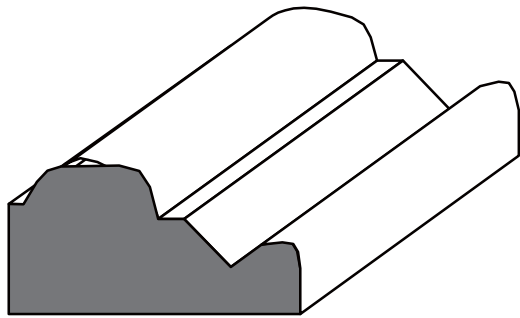
CR302  $\frac{2}{5}$  \*  $\frac{4}{5}$



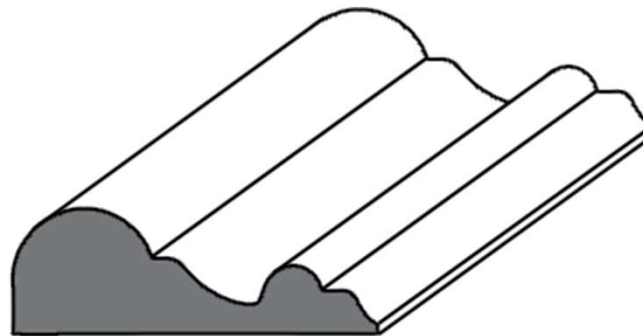
**CHAIR RAIL**

BB201  $\frac{3}{8}$  \* 2

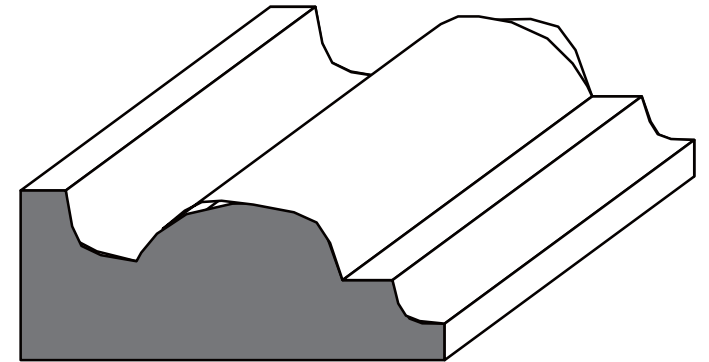
# CHAIR RAILS



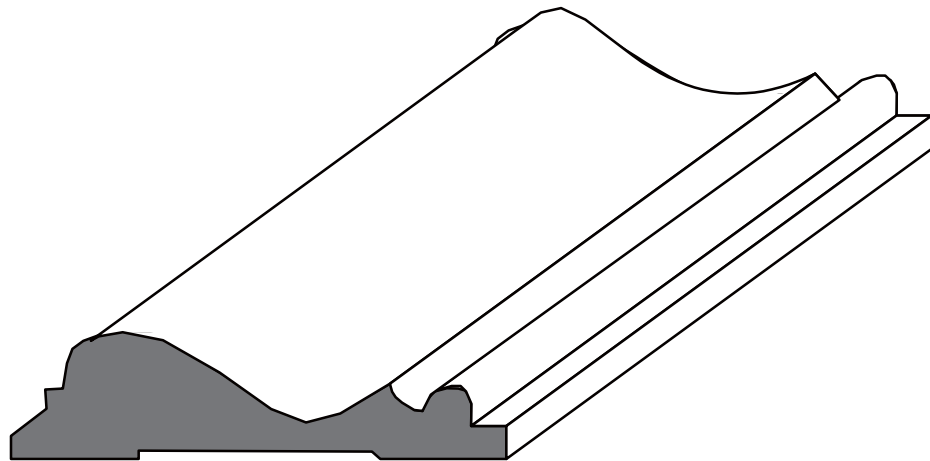
HELLOGG  
CR301 5/7 \* 1 3/8



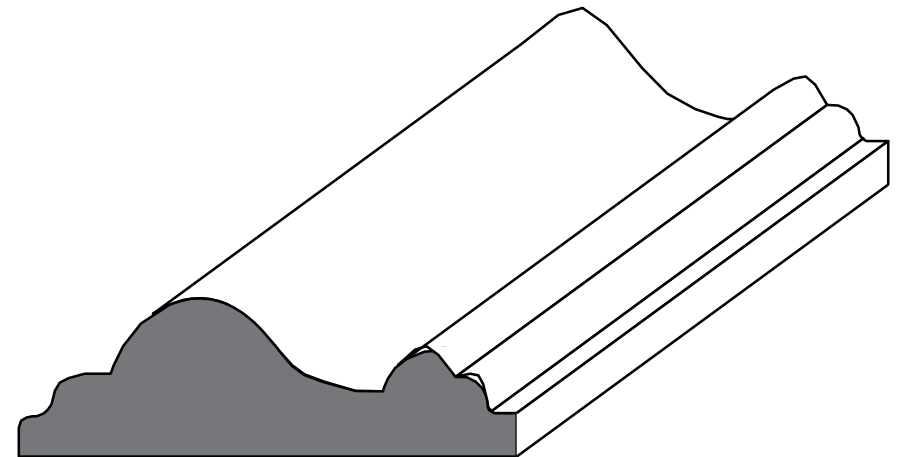
COLONIAL  
CR203 3/5 \* 1 5/7



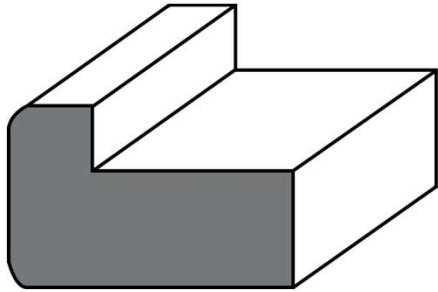
COLONIAL  
CR203 5/7 \* 1 3/4



COLONIAL  
CR303 2/3 \* 2 5/8

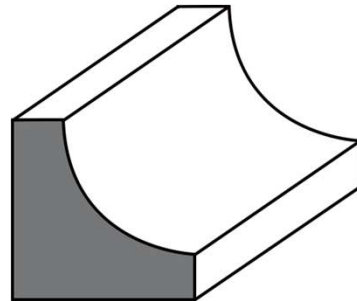


COLONIAL  
CR303 5/9 \* 1 3/4



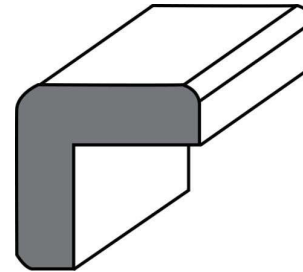
**CORNER**

MC002  $\frac{5}{7} * 1 \frac{1}{9}$   
MC002  $\frac{2}{3} * 1 \frac{1}{9}$



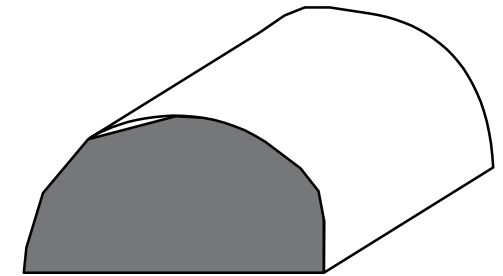
**COVE**

MC101  $\frac{2}{3} * \frac{2}{3}$



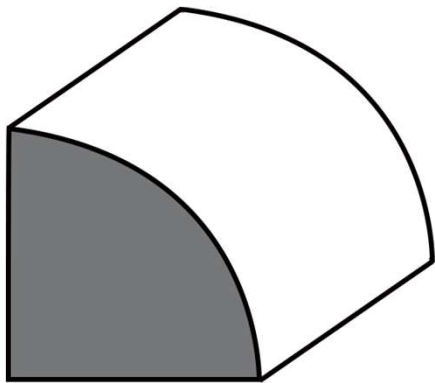
**CORNER**

MC001  $\frac{3}{4} * \frac{3}{4}$   
MC001  $1 \frac{1}{9} * 1 \frac{1}{9}$



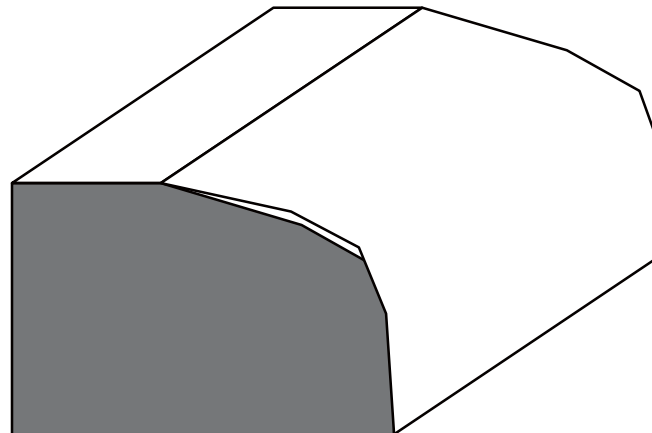
**HALF ROUND**

MR101  $\frac{3}{8} * \frac{2}{3}$



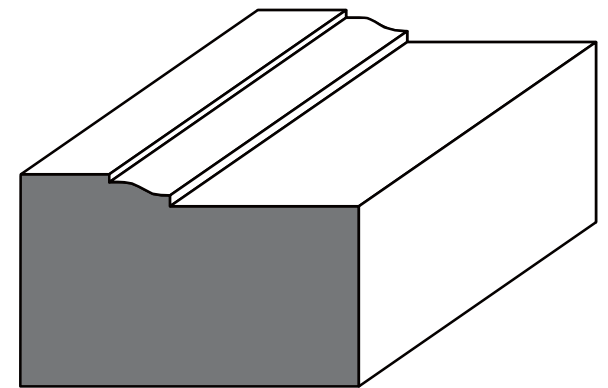
**QUARTER ROUND**

MR001  $\frac{3}{4} * \frac{3}{4}$   
MR001  $\frac{1}{2} * \frac{1}{2}$   
MR001  $1 \frac{2}{9} * 1 \frac{2}{9}$



**RE STOP**

MR002  $\frac{1}{2} * \frac{3}{4}$



**BRICH MOLD**

DD301  $1 \frac{2}{9} * 2$